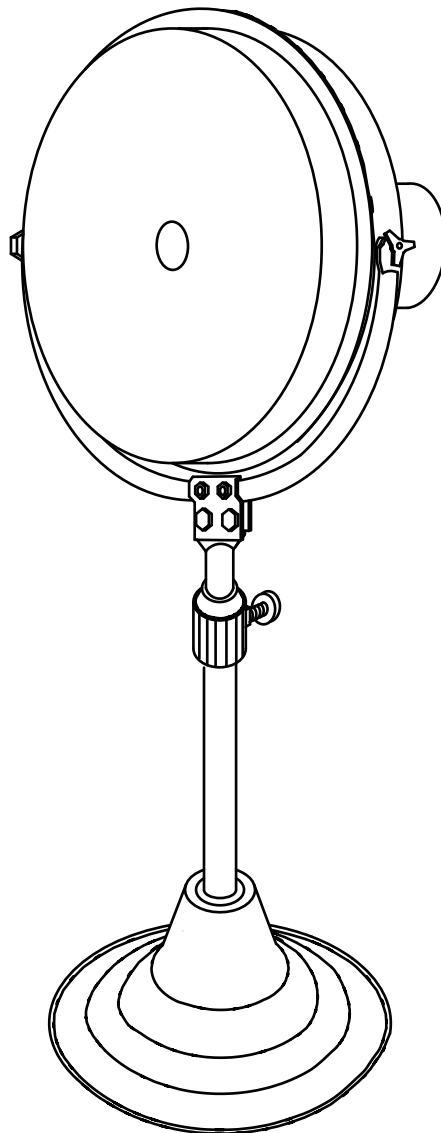




HIGH VELOCITY
AIR CIRCULATOR
MODEL: CCUP20
OWNER'S MANUAL



READ&SAVE THESE INSTRUCTIONS

Installation or Product problems? Do not return to store of purchase.
Contact Canarm Service at 1-800-265-1833(CANADA) 1-800-267-4427(U.S.A)
1-800-567-2513 (EN FRANCAIS) Monday to Friday 8:00 - 5:00pm e.s.t.

20" HIGH VELOCITY PEDESTAL FAN ASSEMBLY AND OPERATING INSTRUCTIONS

CAUTION: Read and follow all instructions before operating fan.
Do not use fan if any part is damaged or missing.

WARNING: To reduce the risk of fire or electrical shock, do not use this fan with any solid state speed control device. This appliance has a 3-prong plug. To reduce the risk of electrical shock, this plug is intended to fit in an outlet only one way. If this does not fit the outlet, contact a qualified electrician. Do not attempt to bypass this procedure.

RULES FOR SAFE OPERATION

Do not insert fingers or any objects through the grill guard when fan is in operation.

Disconnect fan when moving from one location to another.

Disconnect the fan when removing guards for cleaning.

Make sure fan is on a stable, flat surface when in operation.

Do not use fan in windows. Rain and moisture may create an electrical hazard.

UNPACK YOUR FAN AND CHECK THE CONTENTS

Fan Body

Base Frame Assembly

Stand & Extension Pipe Assembly

Spring

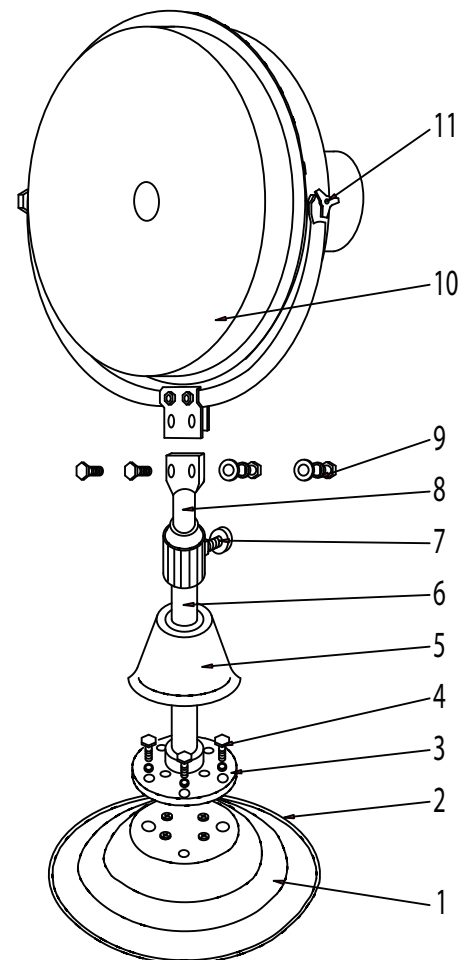
Owner's Manual, Warranty Card, Service Card

STAND & BASE ASSEMBLY INSTRUCTION

1. Loosen the knob (7) on the stand (6). pull up the extension pipe (8) until the end and tighten the knob (7).
2. Insert the spring into the stand (6).
3. Remove 5 outside hex head screws and washers (4) from the base frame (1).
4. Put the stand assembly (6) wspring on the base frame (1) and align the holes in the coupler (3) with the holes in the base frame (1).
5. Insert the screw and washers (4) removed in Step 3 and tighten securely.
6. Slide the coupler cover(5) down over the coupler (3).

FAN BODY ASSEMBLY INSTRUCTION

1. Remove the 2 bolts, flat washers, spring washers, nut (9) from the extension pipe (8)
2. Put the fan body (10) on the extension pipe (8) and align the holes
3. Insert the bolts and tighten with the flat washers, spring washers and ,nuts (9) removed in Step 1
4. Loosen the adjust knob (7). adjust the fan to the desired height and tighten the knob (7)



OPERATION INSTRUCTIONS

TO ADJUST AIRFLOW UPWARD OR DOWNWARD:

Loosen the knobs (11) on side of the fan body (10), tilt the head of the fan to the desired angle. and tighten the knobs (11)

MOVING FAN: Grasp the stand firmly and tilt the unit back onto its wheels (2). Roll fan to the desired location.

CLEENING

WARNING: Unplug from electrical supply source before cleaning. After servicing, any safety device (including grilles and blades) must be reinstalled or remounted as previously installed. Use soft damp cloth then wipe with dry cloth. Do not use harmful cleaners. Do not bend the blades.

MODEL	WATTS(W)			AMPS(A)			Volts	NW	GW
CCUP20	LOW	MED	HI	LOW	MED	HI	V	kg	kg
	147	185	225	1.34	1.65	2.06	120	17.4	20.7