

BACKDRAFT DAMPERS

MODEL 3000, 3100, 3200

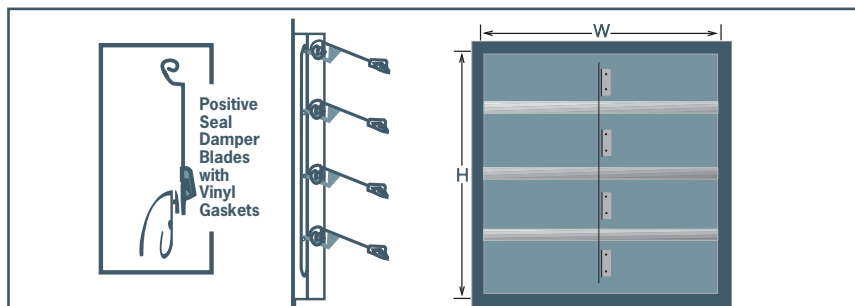


3100 Series Shown

BLADE OPTION:

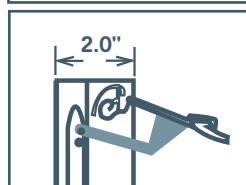
SR: 0.016" - 0.020" roll formed aluminum with vinyl gasket - used with fan motors under 1 HP

SE: 0.05" extruded aluminum with vinyl gasket - used with fan motors over 1 HP

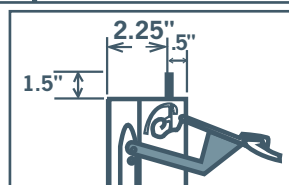


FEATURES

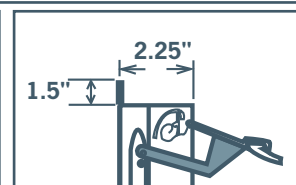
- Sturdily constructed from all aluminum extrusions.
- Roll form blades or extruded aluminum blades.
- Available in any combination of width and height.
- Less than 1% leakage.



SERIES 3000
SIDE MOUNT - NO FLANGE



SERIES 3100
INWARD MOUNT



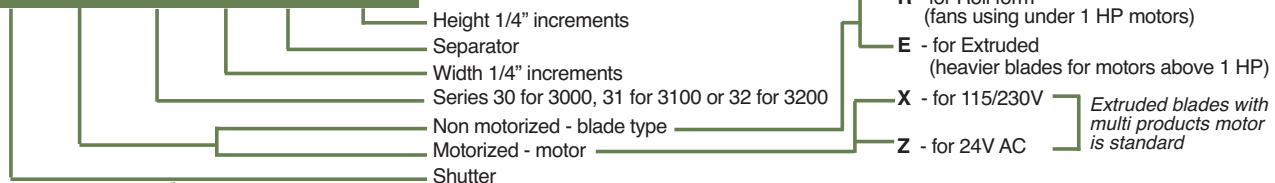
SERIES 3200
OUTWARD MOUNT



3000 & 3100 Series are undercut by 1/4".
3200 Series is cut exact.

ORDERING METHOD FOR BACKDRAFT & MOTORIZED BACKDRAFT DAMPERS

S R 32 16 X 16



3100 Series Shown

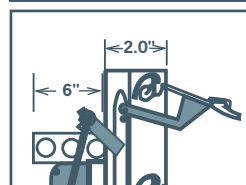
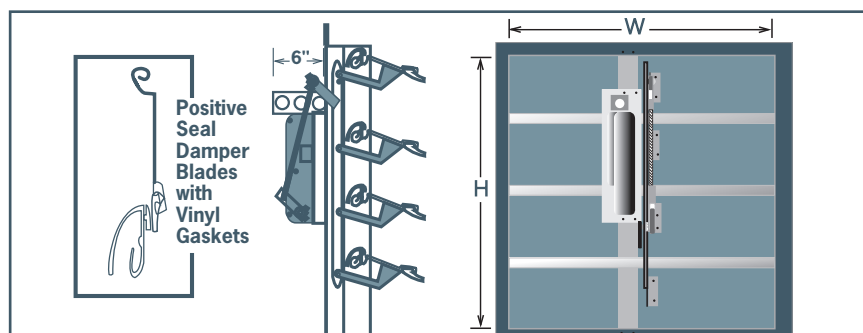


Non-standard shutters are non-returnable and cannot be cancelled.

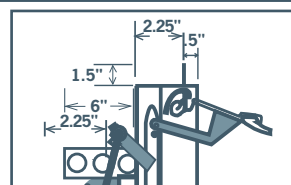
See page K5 in Controls & Thermostats section for Multi-Products replacement motors.

MOTORIZED BACKDRAFT DAMPERS

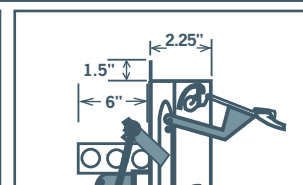
MODEL 3000M, 3100M, 3200M



SERIES 3000M
SIDE MOUNT - NO FLANGE



SERIES 3100M
INWARD MOUNT



SERIES 3200M
OUTWARD MOUNT

FEATURES

- Sturdily constructed from all aluminum extrusions
- Damper motor factory installed (24V, 115/230V - must specify at time of order)
- Maximum 8 sq. feet per motor
- Positive seal keeps leakage less than 1%
- Blades are 0.5" extruded aluminum with vinyl gasket
- Double panel available 30" and up
- Standard multi products motor

ACCESSORIES

- Bird screen
- Special coatings
- Insect screen
- End switch



3000 & 3100 Series are undercut by 1/4".
3200 Series is cut exact.