

Paint color on HTA models is beige.

# BELT DRIVE TUBE AXIAL DUCT FANS

Designed for duct connected applications such as paint booth exhaust, air make-up fans, general exhaust, etc.

**BTA** - For clean, dry air with a maximum temperature of 200°F (95°C)

**WTA** - For moisture laden air with a maximum temperature of 200°F (95°C)

**HTA** - For clean, dry air with a maximum temperature of 375°F (190°C)



To order WTA or HTA models, replace "BTA" with "WTA" or "HTA" in the table below.

## FEATURES

### BTA

- Adjustable motor base.
- Heavy duty pillow block ball bearings with high temperature grease.
- Extended lube lines with external grease fittings.
- TEFC motors are standard.
- Cast aluminum blades up to 48"; fans 54" & 60" have polypropylene reinforced fiberglass blades.
- Airfoil shaped belt tube for improved efficiency; motor, belts, drives and bearings are isolated from air stream.

### WTA

- Heavy duty pillow block bearings with moisture displacement collars + stainless steel shaft.

### HTA

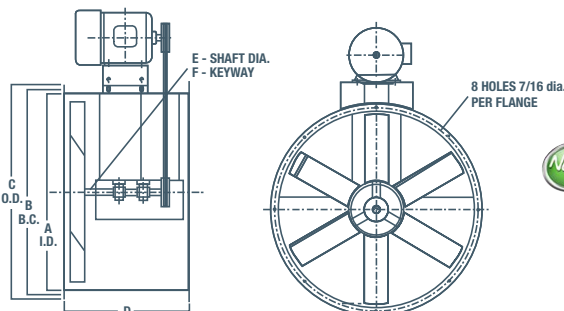
- Paint color is beige on these models, high temperature bearings and grease.



Non-stock, made-to-order products are non-returnable and cannot be cancelled.

## DIMENSIONS

FAN SIZE	A	B	C	D	E	F	WEIGHT (LBS) (less motors & accessories)
12"	12"	14"	15 1/8"	17"	3/4"	3/16"	53
15"	15 3/8"	17"	18 3/8"	17"	3/4"	3/16"	62
18"	18 3/8"	20"	21 3/8"	21"	1"	1/4"	76
24"	24 3/8"	25 7/8"	27 3/8"	21"	1 3/16"	1/4"	132
30"	30 3/8"	32 3/8"	33 3/8"	21"	1 7/16"	3/8"	174
34"	34 3/8"	36 3/8"	37 3/8"	27"	1 7/16"	3/8"	225
36"	36 3/8"	38 3/8"	39 3/8"	27"	1 7/16"	3/8"	239
42"	42 3/8"	44 3/8"	45 3/8"	32"	1 7/16"	3/8"	326
48"	48 3/8"	50 3/8"	51 3/8"	32"	1 15/16"	1/2"	420
54"	54 3/8"	56 3/8"	57 3/8"	40"	1 15/16"	1/2"	552
60"	60 3/8"	62 3/8"	63 3/8"	40"	1 15/16"	1/2"	601



## PERFORMANCE SPECIFICATIONS

BLADE DIAMETER	MODEL #		RPM	H.P.	dBA @ 5 ft.	CFM @ STATIC PRESSURE								
	SINGLE PHASE	THREE PHASE				0"	1/8"	1/4"	3/8"	1/2"	3/4"	1"	1 1/4"	1 1/2"
12"	BTA12T10075A	BTA12T30075A*	2535	3/4	60	2100	1950	1890	1800	-	-	-	-	-
	BTA12T10075B	BTA12T30075B*	2865	3/4	64	2370	2240	2190	2120	1940	1590	-	-	-
	BTA12T10075	BTA12T30075*	3290	3/4+	70	2720	2660	2610	2550	2500	2380	2200	1890	-
	BTA12T10200	BTA12T30200*	3645	2+	74	3020	2970	2910	2860	2810	2720	2600	2420	2150
15"	BTA15T10075A	BTA15T30075A*	1850	3/4	61	2780	2640	2480	2290	2050	-	-	-	-
	BTA15T10075B	BTA15T30075B*	2105	3/4	66	3170	3040	2910	2710	2580	2110	-	-	-
	BTA15T10075	BTA15T30075*	2405	3/4	72	3620	3510	3410	3350	3150	2810	2380	-	-
	BTA15T10100	BTA15T30100*	2660	1.0	75	4000	3910	3810	3690	3590	3320	2990	2570	1140
18"	BTA15T10150	BTA15T30150*	3040	1.5+	81	4580	4490	4390	4330	4220	3940	3780	3480	3150
	BTA18T10075A	BTA18T30075A*	1556	3/4	58	4110	3930	3760	3540	3260	1760	-	-	-
	BTA18T10075B	BTA18T30075B*	1785	3/4	61	4680	4530	4380	4210	4020	3440	1930	-	-
	BTA18T10100	BTA18T30100*	1920	1.0	63	5040	4890	4750	4610	4440	4010	3290	1800	1210
24"	BTA18T10150	BTA18T30150*	2255	1.5	68	5920	5790	5670	5550	5430	5140	4770	4210	3410
	BTA18T10200	BTA18T30200*	2510	2.0	72	6590	6490	6360	6280	6150	5930	5650	5260	4790
	BTA24T10075	BTA24T30075*	1180	3/4	58	6750	6325	5880	5360	4700	2180	-	-	-
	BTA24T10100	BTA24T30100*	1295	1.0	61	7400	7020	6620	6180	5690	4690	1980	-	-
30"	BTA24T10150	BTA24T30150*	1475	1.5	64	8430	8090	7680	7390	7000	6010	4320	3110	-
	BTA24T10200	BTA24T30200*	1620	2.0	67	9260	8960	8640	8360	7990	7220	6190	6080	4130
	BTA24T10300	BTA24T30300*	1890	3.0	72	10800	10670	10290	10060	9730	8890	8480	7640	6510
	BTA30T10100	BTA30T30100*	965	1.0	58	10800	10050	9190	8100	6610	2620	-	-	-
36"	BTA30T10150	BTA30T30150*	1095	1.5	61	12320	11650	11000	10130	9140	5210	2770	-	-
	BTA30T10200	BTA30T30200*	1225	2.0	64	13810	13170	12550	11930	11100	9120	5260	5320	-
	BTA30T10300	BTA30T30300*	1380	3.0	67	15490	14910	14540	13930	13270	11790	10860	9830	4130
	BTA30T10500	BTA30T30500*	1635	5.0	73	18410	17850	17540	17160	16590	15470	14280	12820	10810
42"	BTA34T10150	BTA34T30150*	895	1.5	61	15100	14000	12880	11300	9420	4800	-	-	-
	BTA34T10200	BTA34T30200*	960	2.0	62	16200	15180	14060	12680	11300	5280	3450	-	-
	BTA34T10300	BTA34T30300*	1125	3.0	66	19000	18120	17220	16270	15200	12350	8070	5320	-
	BTA34T10500	BTA34T30500*	1320	5.0	72	22300	21550	20770	20130	19060	17220	14900	10860	8310
48"	BTA34T10750	BTA34T30750*	1520	7.5	75	25700	25010	24350	23730	23040	21610	19830	17820	14760
	BTA36T10200	BTA36T30200*	910	2.0	63	17820	16650	15420	13980	12190	7310	-	-	-
	BTA36T10300	BTA36T30300*	1045	3.0	66	20490	19220	18410	17550	16020	12050	8270	5190	-
	BTA36T10500	BTA36T30500*	1245	5.0	71	24410	23610	22650	21780	20070	18650	15890	11520	9140
54"	BTA36T10750	BTA36T30750*	1425	7.5	75	27930	27110	26380	25790	24830	23230	21220	18850	15290
	BTA42T10200	BTA42T30200*	770	2.0	60	20690	19920	19310	18580	17320	-	-	-	-
	BTA42T10300	BTA42T30300*	895	3.0	64	24120	22840	21430	19620	17680	10290	-	-	-
	BTA42T10500	BTA42T30500*	1005	5.0	67	27070	25980	24640	23230	21810	17750	10780	6820	-
60"	BTA42T10750	BTA42T30750*	1205	7.5	72	32420	31520	30640	29530	28290	25760	22510	16620	12290
	BTA48T10300	BTA48T30300*	745	3.0	63	25790	24330	22450	20510	17780	-	-	-	-
	BTA48T10500	BTA48T30500*	885	5.0	67	30710	29440	27810	26370	24690	20570	14310	-	-
	BTA48T10750	BTA48T30750*	1005	7.5	71	34830	33850	32310	31080	29810	26690	22390	17120	-
60"	BTA48T11000	BTA48T31000*	1105	10.0	73	38300	37270	36210	34760	33670	31090	28120	23710	18930
	BTA54T10500	BTA54T30500*	710	5.0	69	39490	37130	34510	31680	28260	-	-	-	-
	BTA54T10750	BTA54T30750*	810	7.5	72	45020	42890	40760	38660	35890	29810	20380	-	-
	BTA54T11000	BTA54T31000*	905	10.0	75	50330	48450	46590	44640	42420	37520	31620	22910	15230
60"	BTA60T10500	BTA60T30500*	1025	15.0	78	57010	55520	53850	52110	50170	46260	42140	36610	28880
	BTA60T10750	BTA60T30750*	690	7.5	68	54300	51240	48620	45760	41310	27620	18390	-	-
	BTA60T11000	BTA60T31000*	755	10.0	70	59420	56770	54150	51490	48410	39330	26420	17510	-
	BTA60T31500	BTA60T31500*	870	15.0	73	68490	66320	63840	61710	59300	53450	45310	32880	25690
BTA60T32000	BTA60T32000*	955	20.0	76	75110	73090	70670	68880	67010	62340	55910	47640	35870	

For three phase motors, substitute "\*" with "M" for 230/460 volt (if 208V required please specify) or "P" for 575 volt.

+ Motor RPM is 3450. All others are 1750.

dBA ratings shown are measured at 0" static pressure and should be used as a guideline only

## OPTIONS & ACCESSORIES

For a complete listing of all available options and accessories available for this fan and ordering guidelines, see page A15.

When ordering, replace "T" (in chart above) with ALL letters of the options and accessories required, as shown on page A15.



Options must be requested at time of order, as they cannot be added later.