



ALX-DB SERIES - DOWNBLAST BELT DRIVE SPUN ALUMINUM EXHAUSTERS

Ideal for exhausting air from factories, offices, warehouses or commercial buildings. The ALX series spun aluminum exhaust fan can be used as either a roof top or wall mount exhaust fan.

FEATURES

- Spun aluminum housing will not rust, chip or peel.
- Aluminum backward inclined wheel is non-overloading.
- Belt drive
- For motor options consult our fan selection software Delair.
www.canarm.com/delair
- Units up to 24" (max 2HP) can be wall mounted.
- Quick release latches for easy motor access.
- Standard bird screen.



OPTIONS & ACCESSORIES

- Motorized damper
- Gravity (automatic) damper
- Wall mount bracket (for all sizes up to 24")
- Roof curb
- Disconnect switch
- Hinge kits
- VFD for 3 phase motors
- Other base (curb cap) options available. See C2 in dimensions table.



QUICK RELEASE LATCH FOR EASY MOTOR ACCESS

DIMENSIONS

NOTE: DUE TO MOTOR MANUFACTURERS VARIANCES IN DESIGN, PLEASE SEE USER MANUAL FOR MOTOR DIMENSIONAL GUIDELINES.

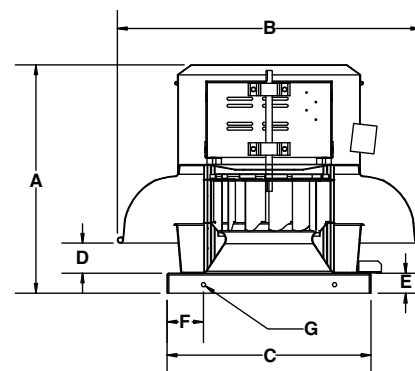
MODEL	DIMENSIONS (INCHES)											WEIGHT (lbs) without motors
	A	B	C	C2	D	E	F	G Ø	Shaft Size	Wheel Diameter	Roof Opening	
ALX135-DB	25.25	31.25	21.00	24.75	3.13	2.00	3.75	0.44	3/4"	13.50	17.00	41
ALX150-DB	26.13	31.25	21.00	24.75	3.75	2.00	3.75	0.44	3/4"	15.00	17.00	43
ALX165-DB	31.13	36.25	24.75	28.00	5.00	2.00	4.00	0.44	3/4"	16.50	20.75	106
ALX180-DB	31.75	36.25	28.00	24.75	5.50	2.00	4.00	0.44	3/4"	18.25	20.75	114
ALX210-DB	36.25	43.75	33.13	40.00	5.25	2.50	4.00	0.44	1"	21.25	29.00	176
ALX245-DB	37.00	43.75	33.13	40.00	5.88	2.50	4.00	0.44	1"	24.50	29.00	181

Note: Net weights for belt drive units do not include motor & drives.



Canarm certifies that the ALX-DB Series shown herein are licensed to bear the AMCA Seal. The ratings shown are based on tests and procedures performed in accordance with AMCA Publications 211 & 311 and comply with the requirements of the AMCA Certified Ratings Programme.

The AMCA certified ratings seal applies to air and sound performance only. The ALX-DB Series shown herein are not approved by AMCA for FEI ratings.





ALX-DB SERIES - DOWNBLAST BELT DRIVE SPUN ALUMINUM EXHAUSTERS

PERFORMANCE SPECIFICATIONS

ALX DB WITH MOTORS & DRIVES and wired disconnect

Single Phase	RPM Range	HP	RPM	Values @ 0.5" SP		0" SP		0.25" SP		0.5" SP		0.75" SP		1" SP		1.25" SP		1.5" SP		
				BHP	Sones	CFM	FEI	CFM	FEI	CFM	FEI	CFM	FEI	CFM	FEI	CFM	FEI	CFM	FEI	CFM
ALX135DBT10025**	862-1293	1/4	1091	0.18	9.6	1303	-	1162	-	967	-	-	-	-	-	-	-	-	-	-
ALX135DBT10033**	932-1398	1/3	1255	0.27	12.9	1498	-	1383	-	1226	-	1050	-	-	-	-	-	-	-	-
ALX135DBT10050**	1121 - 1552	1/2	1441	0.4	16.3	1722	-	1623	-	1501	-	1351	-	1191	-	-	-	-	-	-
ALX150DBT10050**	932-1398	3/4	1185	0.35	16.6	1856	-	1708	-	1497	-	1143	-	-	-	-	-	-	-	-
ALX150DBT10075**	1078-1617	3/4	1401	0.56	23	2196	-	2072	-	1920	-	1732	-	1548	-	1297	-	-	-	-
ALX150DBT10100	1340-1820	1	1515	0.7	26	2376	0.47	2264	0.68	2132	0.86	1964	0.99	1792	1.10	1604	1.17	1353	1.16	
ALX165DBT10100	1097-1489	1	1249	0.61	21	2600	0.57	2509	0.83	2300	1.03	2089	1.18	1828	1.26	1427	1.21	-	-	
ALX165DBT10150	1254-1646	1.5	1455	0.94	26	3100	0.43	2993	0.64	2800	0.80	2630	0.95	2427	1.06	2204	1.14	1980	1.18	
ALX180DBT10100	980-1293	1	1111	0.83	21	3682	0.56	3420	0.80	3090	0.99	2706	1.10	2239	1.12	-	-	-	-	
ALX180DBT10200	1097-1489	2	1242	1.14	27	4089	0.45	3878	0.65	3605	0.82	3296	0.95	3966	1.32	2526	1.05	1936	0.96	
ALX210DBT10150	862-1132	1.5	977	1.12	19.3	4860	0.53	4551	0.77	4104	0.94	3570	1.04	2920	1.05	-	-	-	-	
ALX245DBT10150	673-889	1.5	800	1.38	19.4	5910	0.51	5415	0.73	4759	0.88	4068	0.96	3170	0.93	-	-	-	-	
ALX245DBT10200	745-979	2	871	1.76	23	6428	0.44	5979	0.63	5404	0.77	4794	0.87	4080	0.91	-	-	-	-	
ALX245DBT10300	862-1132	3	973	2.44	27	7188	0.36	6797	0.53	6313	0.67	5761	0.77	5231	0.85	4563	0.88	3769	0.85	
Three Phase																				
ALX150DBT30100*	1340-1820	1	1515	0.7	26	2376	0.47	2264	0.68	2132	0.86	1964	0.99	1792	1.10	1604	1.17	1353	1.16	
ALX165DBT30100*	1097-1489	1	1249	0.61	21	2600	0.57	2509	0.83	2300	1.03	2089	1.18	1828	1.26	1427	1.21	-	-	
ALX165DBT30150*	1254-1646	1.5	1455	0.94	26	3100	0.43	2993	0.64	2800	0.80	2630	0.95	2427	1.06	2204	1.14	1980	1.18	
ALX180DBT30100*	980-1293	1	1111	0.83	21	3682	0.56	3420	0.80	3090	0.99	2706	1.10	2239	1.12	-	-	-	-	
ALX180DBT30200*	1097-1489	2	1242	1.14	27	4089	0.45	3878	0.65	3605	0.82	3296	0.95	3966	1.32	2526	1.05	1936	0.96	
ALX210DBT30150*	862-1132	1.5	977	1.12	19.3	4860	0.53	4551	0.77	4104	0.94	3570	1.04	2920	1.05	-	-	-	-	
ALX245DBT30150*	673-889	1.5	800	1.38	19.4	5910	0.51	5415	0.73	4759	0.88	4068	0.96	3170	0.93	-	-	-	-	
ALX245DBT30200*	745-979	2	871	1.76	23	6428	0.44	5979	0.63	5404	0.77	4794	0.87	4080	0.91	-	-	-	-	
ALX245DBT30300*	862-1132	3	973	2.44	27	7188	0.36	6797	0.53	6313	0.67	5761	0.77	5231	0.85	4563	0.88	3769	0.85	

** 115V only. All other motors will be wired at high voltage.

*For three phase motors, substitute "**" with "M" for 230/460 volt (wired for 460V) or "P" for 575 volt

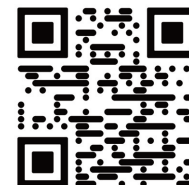
UL705 = 1Ø Only

ALX DB WITHOUT MOTORS & DRIVES

MODEL	MIN HP	MAX HP	MAX RPM	TYPICAL MAXIMUM CFM @ SP																	
				0"		0.25"		0.5"		0.75"		1"		1.25"		1.5"		2"		2.25"	
				CFM	FEI	CFM	FEI	CFM	FEI	CFM	FEI	CFM	FEI	CFM	FEI	CFM	FEI	CFM	FEI	CFM	FEI
ALX135-DB		3/4	1800	2200	0.41	2100	0.59	2000	0.74	1800	0.91	1700	0.98	1500	1.09	1400	1.13	1000	1.07	-	-
ALX150-DB	1/4	1	1800	2600	0.38	2500	0.53	2300	0.68	2200	0.77	2000	0.87	1800	0.94	1600	0.98	1200	0.93	800	0.84
ALX165-DB	1/4	2	1800	3700	0.32	3600	0.46	3500	0.58	3300	0.71	3200	0.78	3000	0.87	2900	0.91	2600	1.00	2400	1.02
ALX180-DB	1/4	2	1500	4200	0.35	4100	0.48	3900	0.61	3700	0.71	3500	0.80	3300	0.86	3100	0.91	2500	0.97	2100	0.96
ALX210-DB	1/2	3	1300	5700	0.34	5700	0.47	5500	0.59	5200	0.70	4900	0.79	4500	0.87	4100	0.93	2900	0.94	1800	0.89
ALX245-DB	1/2	5	1200	8800	0.25	8500	0.37	8200	0.46	7800	0.55	7300	0.63	6900	0.69	6500	0.74	5400	0.80	4700	0.82

Consult our Delair fan selection software for fan curves and performance data.
Download Delair at www.canarm.com/delair

* Motor adaptor plate required for 3HP+



View FEI charts
canarm.com/fei-alex