



9200 SERIES
Heavy duty, Insulated Indoor or Outdoor Applications



9200-VIB SERIES
With Internal Spring Vibration Isolation



TWIN UNIT AVAILABLE

Call for pricing & availability.

9200 & 9200-VIB SERIES

Single & Twin Forward Curved Inline Duct Blowers

- As part of an HVAC system Delhi Duct Blowers will not “surge”, “hunt”, or “stall”.
- Optional variable pitch motor pulley permits field adjustment (typically + or - 15%) to match air delivery needs.
- For the quietest operational needs we offer optional internal spring isolation of the blower/motor from the housing thus greatly reducing radiated cabinet noise (9200-VIB only).
- Our twins (two duct blowers on a common shaft) is a wide but not tall solution for situations where vertical space is limited.
- Quiet forward curved blowers operate at ½ the rpm of other inline solutions.
- An outdoor series, 9200, is available.



INDUSTRIES SERVED

- Commercial HVAC
- Ventilation
- Construction
- Heating
- Cooling



Canarm certifies that the 9200 Series shown herein are licensed to bear the AMCA Seal. The ratings shown are based on tests and procedures performed in accordance with AMCA Publications 211 & 311 and comply with the requirements of the AMCA Certified Ratings Programme.

The AMCA certified ratings seal applies to air and sound performance only. The 9200 Series shown herein are not approved by AMCA for FEI ratings.

FEATURES

- **Wheel Diameters:** 7” through 20”
- **CFM:** Approximately 500 to 12,500 CFM in a single blower (Twins available).
- **Static Pressure:** Usage to about 3” static pressure is common, although allowable range is higher.
- Constructed from cold rolled steel, with green baked on powder coat. The outdoor unit uses protective galvaneal steel under the powder coat.
- Forward Curved blowers operate at low RPM for low noise levels.
- Heavy duty ball bearings suitable for -65° F to +250° F.
- Keywayed shafts both ends for clockwise or counter clockwise rotation.
- Saddle type motor mounting platform provides extended belt tension adjustment range on all models.
- 9200 series may be mounted vertically or horizontally. VIB option is horizontal mount only. Cannot be vertically mounted.

Twin Units use a common shaft for balanced air supply by each blower.

TYPICAL APPLICATIONS FOR OUR INLINE BLOWERS

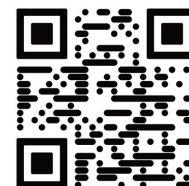
- An Inline make-up air solution for cases where a rooftop curb mounted solution is not available.
- As an air moving module for systems built up with other components such as heating/cooling coils.
- Noise sensitive areas - the low rpm forward curved wheel typically radiates less vibration than higher rpm backward inclined wheel solutions.
- When the application requires an air mover in a duct system located in a ceiling space.
- Redistribution or recirculation of air in a work space.
- Interlocked with entry doors to prevent entry of cold outdoor air into retail sales space and thus greets customers with warmth.
- Bathroom/ rest room exhaust - one duct blower serving multiple intakes.

PERFORMANCE SPECIFICATIONS

MODEL	TYPICAL MAXIMUM CFM @ SP										Min HP	Max HP
	1/2" SP		1" SP		1 1/2" SP		2" SP		2 1/2" SP			
	CFM	FEI	CFM	FEI	CFM	FEI	CFM	FEI	CFM	FEI		
9209	2500	0.65	2400	0.81	2300	0.91	2100	1.01	1900	1.07	1/6	1-1/2
9210	3000	0.71	2800	0.90	2600	1.00	2300	1.07	1900	1.07	1/6	1-1/2
9212	4900	0.63	4600	0.74	4200	0.84	3900	0.91	3500	0.98	1/6	3
9215	7700	0.62	7200	0.74	6800	0.83	6300	0.91	5800	0.96	1/3	5
9218	9500	0.71	8800	0.85	8000	0.93	7200	0.98	6100	0.97	1/2	5
9220	16000	0.45	15400	0.54	14800	0.62	14100	0.69	13300	0.75	3/4	15

Power rating (BHP) does not include transmission losses. Performance certified is for installation type B: Free inlet, Ducted outlet. Performance ratings do not include the effect of appurtenances (accessories).

CONSULT OUR DELAIR SOFTWARE FOR FULL FAN CURVES & PERFORMANCE DATA. WWW.CANARM.COM/DELAIR

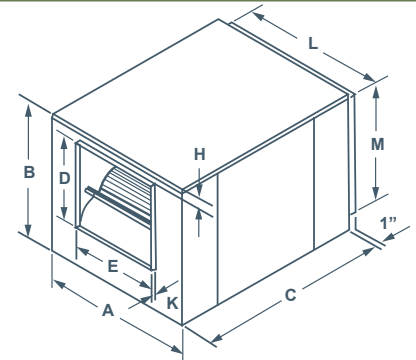
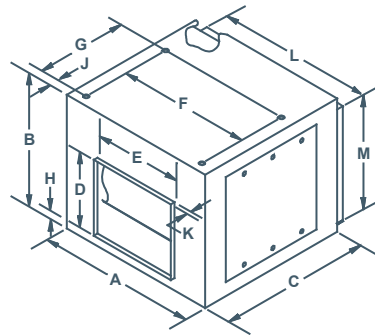


View FEI charts
canarm.com/fei-200



9200 & 9200-VIB SERIES

Single & Twin Forward Curved Inline Duct Blowers



Twin unit available for 9200, 9200-VIB models
Call for pricing & availability.

DIMENSIONS

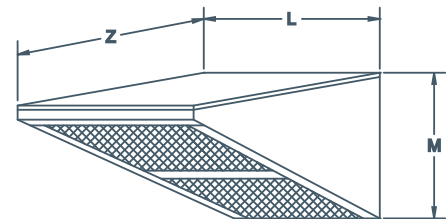
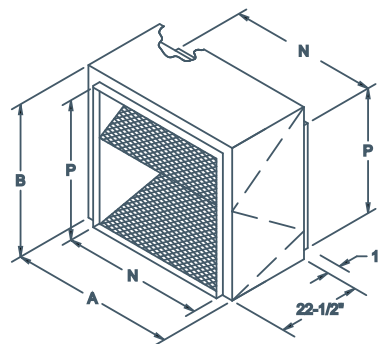
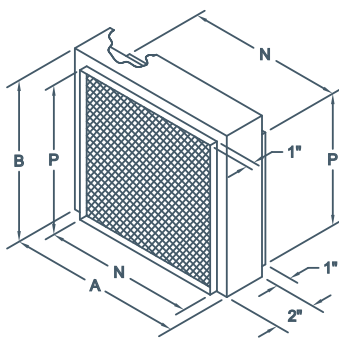
MODEL	A	B	C	OUTLET		F	G	H	J	K	INLET		SHAFT DIAMETER	UNIT WEIGHT (LBS) (without motor)
				D	E						L	M		
9209	21"	18"	23"	11 1/4"	12 3/4"	N/A	N/A	1"	N/A	1 1/8"	19"	16"	3/4"	61
9210	22 1/4"	20"	24 3/4"	12 3/8"	14 1/8"	N/A	N/A	1"	N/A	1 1/8"	20 1/4"	18"	3/4"	70
9212	30 1/8"	24 3/4"	34"	14 1/2"	16 5/8"	N/A	N/A	2 1/8"	N/A	1 1/8"	25 1/8"	21 1/8"	1"	143
9215	33 3/4"	28 5/8"	38 1/8"	17"	19 5/8"	N/A	N/A	2 1/8"	N/A	1 1/8"	30 5/8"	25 1/4"	1"	176
9218	41 1/2"	34"	44"	19 5/8"	22 5/8"	N/A	N/A	2 3/4"	N/A	1 1/8"	35 3/8"	31 5/8"	1"	323
9220	44 3/4"	41 1/8"	57 1/2"	25 3/4"	25 3/4"	N/A	N/A	3"	N/A	1 1/8"	38 3/8"	35 1/8"	1 7/16"	515

ACCESSORIES

- Filter sections
- Intake Hoods
- External Vibration Isolators
- Hot Water Coils
- Chilled Water Coils

FILTER SECTIONS & INTAKE HOODS

Series F200A, F9200A & H9200



F200A FILTER SECTION
For 9200 Series Duct Blowers

F9200A FILTER SECTION
For Model 9200 Duct Blowers

H9200 INTAKE HOOD
For 9200 Series Duct Blowers

MODEL	A	B	N	P	FILTER		UNIT WEIGHT (LBS)
					SIZE	QUANTITY	
F207A	17 3/4"	15 3/8"	16"	13 1/2"	14 1/8" X 16 5/8"	1	11
F209A	21"	18"	19 1/8"	16 1/8"	16 3/4" X 19 7/8"	1	12
F210A	22 1/4"	20"	20 3/8"	18 1/8"	18 3/4" X 21 1/8"	1	14
F212A	27"	23"	25 1/8"	21 1/8"	21 3/4" X 25 7/8"	1	16
F215A	32 1/2"	26 3/4"	30 5/8"	25 1/8"	25 3/4" X 31"	1	21
F218A	37"	33 1/4"	35 1/4"	31 1/2"	32 1/4" X 35 7/8"	1	46
F9220A	39 3/4"	37 1/4"	38 1/2"	35 1/4"	20" X 25"	6	64

MODEL	L	M	Z	FILTER		UNIT WEIGHT (LBS)
				SIZE	QUANTITY	
H9209	19 1/4"	16 9/16"	21 1/4"	16" X 24"	1	14
H9210	20 1/2"	18 9/16"	25 3/4"	15" X 20"	2	16
H9212	25 3/8"	21 9/16"	30 3/4"	20" X 25 & 16" X 25"	2	27
H9215	31 3/16"	25 13/16"	33 1/2"	20" X 28 1/2"	2	38
H9218	35 5/8"	32 11/16"	40 1/4"	20" X 25 (2) & 16" X 25"	3	50
H9220	38 5/8"	35 9/16"	22"	FILTERS NOT INCLUDED USE F9220A		40