



GREEN SERIES 700DD-EC

Filtered Fresh Air Supply Units

FEATURES

- High efficiency direct drive motor for energy efficient low maintenance applications.
- Green, weather resistant baked powder coat finish.
- Latched top cover provides convenient service access to 4 filters.
- EC Motor offers true variable speed operation and up to 70% energy savings over PSC motors.

PERFORMANCE SPECIFICATIONS

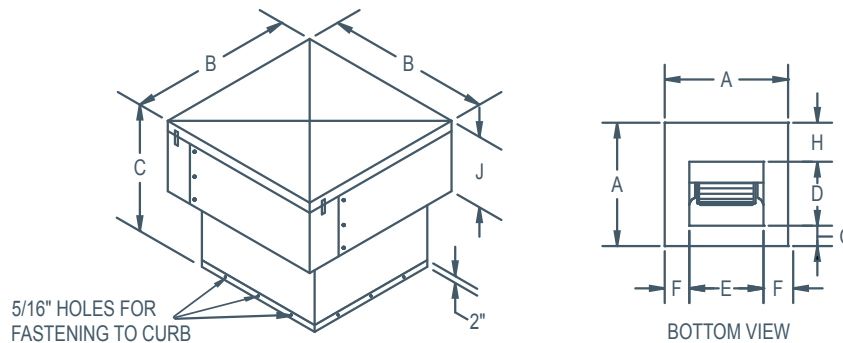
MODEL	MOTOR			AIRFLOW (CFM @ Static Pressure)															
	HP	Variable Speed	Max RPM	0"				1/2"				1"				1 1/4"			
				High	FEI	Low	FEI	High	FEI	Low	FEI	High	FEI	Low	FEI	High	FEI	Low	FEI
709DD050EC	1/2	Y*	1200	2000	-	900	-	1650	-	500	-	1250	-	500	-	500	-	450	-
709DD100EC	1	Y*	1200	2525	0.62	900	1.85	2275	0.87	500	1.68	1400	1.23	500	1.38	500	1.32	450	1.33
710DD050EC	1/2	Y*	1100	2300	-	1400	-	1400	-	500	-	750	-	500	-	500	-	400	-
710DD100EC	1	Y*	1100	2900	0.77	1400	1.69	2250	1.06	500	1.67	1600	1.27	500	1.37	800	1.27	400	1.25
712DD050EC	1/2	Y*	1000	3000	-	2000	-	2300	-	600	-	1425	-	600	-	1100	-	500	-
712DD100EC	1	Y*	1000	3800	0.81	2000	1.69	3250	1.05	600	1.47	2700	1.18	600	1.12	2000	1.26	600	1.07

* Minimum motor speed 425 RPM (EC Models)

EC motors can be controlled using the built in potentiometer on motor or by using a 0 to 10 V controller, or by a remote potentiometer.

REVIEW FAN CURVES BEFORE ADJUSTING RPM TO ENSURE LOAD DOES NOT EXCEED MOTOR HP.

DIMENSIONS



MODEL	A	B	C	D	E	F	G	H	J	FILTERS		*INSIDE CABINET	UNIT WEIGHT (LBS) (without motors & drives)
										SIZE	QUANTITY		
709DD	24 3/8"	32 3/8"	24 3/8"	10 1/4"	11 13/16"	6 9/32"	7 1/16"	7 1/16"	10 1/4"	10"x 20"	4	24"x 24"	84
710DD	28 3/8"	38 1/2"	28 1/4"	11 3/8"	13 1/8"	7 5/8"	8 1/2"	8 1/2"	12 1/4"	12"x 24"	4	28"x 28"	108
712DD	32 3/8"	42 5/8"	31 3/8"	13 7/16"	15 5/8"	8 3/8"	9 15/32"	9 15/32"	16 1/2"	16"x 25"	4	32"x 32"	150

* Curb size to be smaller than inside cabinet to allow for flashing and roofing.