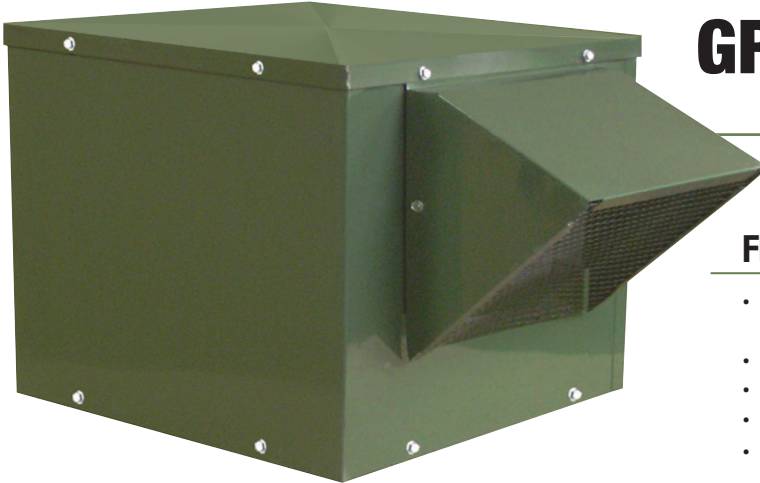


GREEN SERIES 300DD-EC

Forward Curved Roof Exhauster



FEATURES

- High efficiency direct drive motor for energy efficient low maintenance applications
- Square base allows discharge to be oriented in any of 4 directions.
- Back draft damper and bird screen included.
- Cabinet insulated with 1/2" fiberglass insulation.
- EC Motor offers true variable speed operation and up to 70% energy savings over PSC motors.

PERFORMANCE SPECIFICATIONS

MODEL	MOTOR			AIRFLOW (CFM @ Static Pressure)															
	HP	Variable Speed	Max RPM	0"			1/2"			1"			1 1/4"						
				High	FEI	Low	FEI	High	FEI	Low	FEI	High	FEI	Low	FEI				
309DD050EC	1/2	Y*	1200	1700	-	700	-	1325	-	500	-	950	-	500	-	300	-	300	-
309DD100EC	1	Y*	1200	2100	0.32	700	1.72	1500	0.7	500	1.43	950	1.03	500	1.08	300	0.9	300	0.9
310DD050EC	1/2	Y*	1100	2050	-	1000	-	1500	-	400	-	1050	-	400	-	-	-	-	-
310DD100EC	1	Y*	1100	2600	0.36	1000	1.69	2100	0.64	400	1.37	1200	1.02	400	1.15	700	0.98	400	1.1
312DD050EC	1/2	Y*	1000	2600	-	1700	-	1850	-	600	-	1250	-	600	-	1000	-	600	-
312DD100EC	1	Y*	1000	3300	0.43	1700	1.42	2700	0.75	600	1.48	2150	0.8	600	1.16	1600	0.99	600	1.07

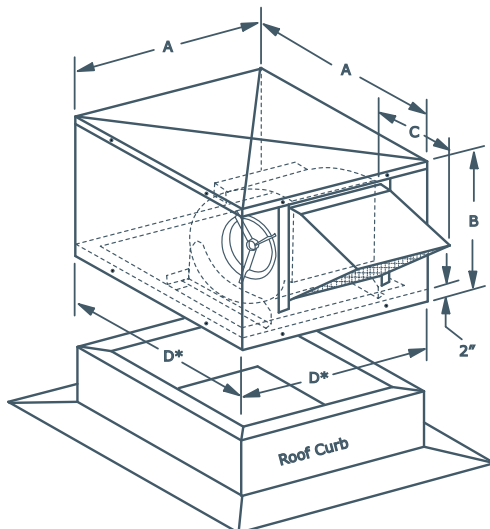
* Minimum motor speed 425 RPM (EC Models)

EC motors can be controlled using the built in potentiometer on motor or by using a 0 to 10 V controller, or by a remote potentiometer.

REVIEW FAN CURVES BEFORE ADJUSTING RPM TO ENSURE LOAD DOES NOT EXCEED MOTOR HP.



DIMENSIONS



MODEL	A	B	C	* D INSIDE	SHAFT DIAMETER	UNIT WEIGHT (LBS) (without motor & drives)
309DD	24 3/8"	19 3/8"	10 5/8"	24"	3/4"	63
310DD	28 3/8"	21 3/8"	11 3/8"	28"	3/4"	88
312DD	32 3/8"	24 5/8"	13 1/8"	32"	3/4"	113

* D is an inside dimension.

Curb size must be smaller to allow for flashing.