

GREEN SERIES 200DD-EC & 9200DD-EC

Forward Curved Inline Series Duct Blowers



200DD SERIES

Indoor Applications, Insulated or Non-Insulated

9200DD SERIES

Heavy duty, Insulated Indoor or Outdoor Applications

FEATURES

- High efficiency direct drive motor for energy efficient, low maintenance applications.
- Forward curved blowers operate at low RPM for low noise levels.
- Attractive green baked on powder coat finish.
- EC Motor offers true variable speed operation and up to 70% energy savings over PSC motors.

PERFORMANCE SPECIFICATIONS

MODEL	MOTOR			AIRFLOW (CFM @ Static Pressure)															
	HP	Variable Speed	Max RPM	0"				1/2"				1"				1 1/4"			
				High	FEI	Low	FEI	High	FEI	Low	FEI	High	FEI	Low	FEI	High	FEI	Low	FEI
209DD050EC	1/2	Y*	1200	1925	-	900	-	1550	-	600	-	950	-	600	-	-	-	-	-
209DD100EC	1	Y*	1200	2450	0.66	900	1.85	2100	0.81	600	1.72	1500	1.22	600	1.3	-	-	-	-
210DD050EC	1/2	Y*	1100	2200	-	1100	-	1850	-	600	-	1500	-	600	-	950	-	600	-
210DD100EC	1	Y*	1100	2775	0.7	1100	1.88	2500	0.93	600	1.59	1800	1.22	600	1.29	950	1.18	600	1.23
212DD050EC	1/2	Y*	1000	2900	-	1800	-	2100	-	600	-	1550	-	600	-	1200	-	600	-
212DD100EC	1	Y*	1000	3600	0.78	1800	1.71	3100	1	600	1.69	2450	1.25	600	1.28	1200	1.26	600	1.17

MODEL	MOTOR			AIRFLOW (CFM @ Static Pressure)															
	HP	Variable Speed	Max RPM	0"				1/2"				1"				1 1/4"			
				High	FEI	Low	FEI	High	FEI	Low	FEI	High	FEI	Low	FEI	High	FEI	Low	FEI
9209DD050EC	1/2	Y*	1200	1925	-	900	-	1550	-	600	-	950	-	600	-	--	-	--	-
9209DD100EC	1	Y*	1200	2400	0.54	900	1.79	2100	0.74	600	1.32	1500	0.83	600	1.09	--	-	--	-
9210DD050EC	1/2	Y*	1100	2200	-	1100	-	1800	-	600	-	1500	-	600	-	900	-	600	-
9210DD100EC	1	Y*	1100	2700	0.59	1100	1.82	2500	0.8	600	1.7	1800	1.14	600	1.29	900	1.24	600	1.17
9212DD050EC	1/2	Y*	1000	2900	-	1800	-	2100	-	600	-	1550	-	600	-	1200	-	600	-
9212DD100EC	1	Y*	1000	3600	0.7	1800	1.65	3100	0.95	600	1.69	2450	1.11	600	1.28	1200	1.25	600	1.16

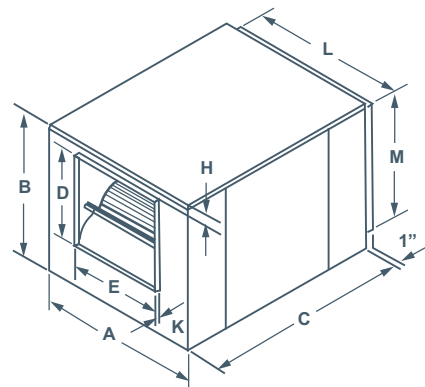
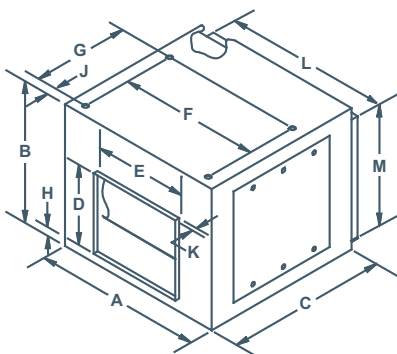
* Minimum motor speed 425 RPM (EC Models)

EC motors can be controlled using the built in potentiometer on motor or by using a 0 to 10 V controller, or by a remote potentiometer.

REVIEW FAN CURVES BEFORE ADJUSTING RPM TO ENSURE LOAD DOES NOT EXCEED MOTOR HP.

GREEN SERIES 200DD-EC & 9200DD-EC

Forward Curved Inline Series Duct Blowers



DIMENSIONS

MODEL	A	B	C	OUTLET		F	G	H	J	K	INLET		SHAFT DIAMETER	UNIT WEIGHT (LBS) (without motor)
				D	E						L	M		
209DD	21"	18"	23"	10 1/4"	11 13/16"	17 1/2"	11 3/4"	1 1/4"	1 3/4"	7/8"	19"	16"	3/4"	55
210DD	22.25"	20"	24 3/4"	11 3/8"	13 1/8"	18 3/4"	13 3/8"	1 1/4"	1 3/4"	7/8"	20 1/4"	18"	3/4"	65
212DD	27"	23"	27 1/2"	13 7/16"	15 5/8"	23 1/2"	16 1/8"	1 1/4"	1 3/4"	7/8"	25"	21"	3/4"	82
9209DD	21"	18"	23"	11 1/4"	12 3/4"	N/A	N/A	1"	N/A	1 1/8"	19"	16"	3/4"	61
9210DD	22 1/4"	20"	24 3/4"	12 3/8"	14 1/8"	N/A	N/A	1"	N/A	1 1/8"	20 1/4"	18"	3/4"	70
9212DD	30 1/8"	24 3/4"	34"	14 1/2"	16 5/8"	N/A	N/A	2 1/8"	N/A	1 1/8"	25 1/8"	21 1/8"	1"	143

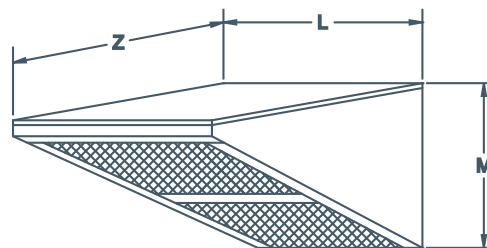
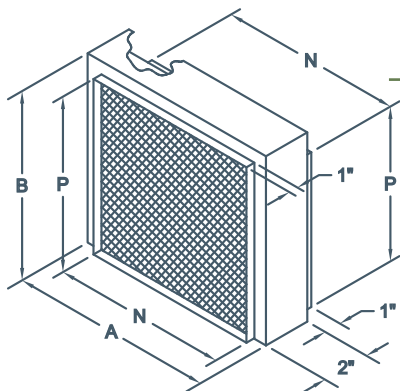
ACCESSORIES

- Filter sections
- Intake Hoods
- Vibration Isolators
- Back Draft Dampers



FILTER SECTIONS & INTAKE HOODS

Series F200A, F9220A & H9200



F200A FILTER SECTION

For 200DD & 9200DD Series Duct Blowers

H9200 INTAKE HOOD

For 9200DD Series Duct Blowers

MODEL	A	B	N	P	FILTER		UNIT WEIGHT (LBS)
					SIZE	QUANTITY	
F209A	21"	18"	19 1/8"	16 1/8"	16 3/4" X 19 7/8"	1	12
F210A	22 1/4"	20"	20 3/8"	18 1/8"	18 3/4" X 21 1/8"	1	14
F212A	27"	23"	25 1/8"	21 1/8"	21 3/4" X 25 7/8"	1	16

MODEL	L	M	Z	FILTER		UNIT WEIGHT (LBS)
				SIZE	QUANTITY	
H9209	19 1/4"	16 9/16"	21 1/4"	16" X 24"	1	14
H9210	20 1/2"	18 9/16"	25 3/4"	15" X 20"	2	16
H9212	25 3/8"	21 9/16"	30 3/4"	20" X 25 & 16" X 25"	2	27